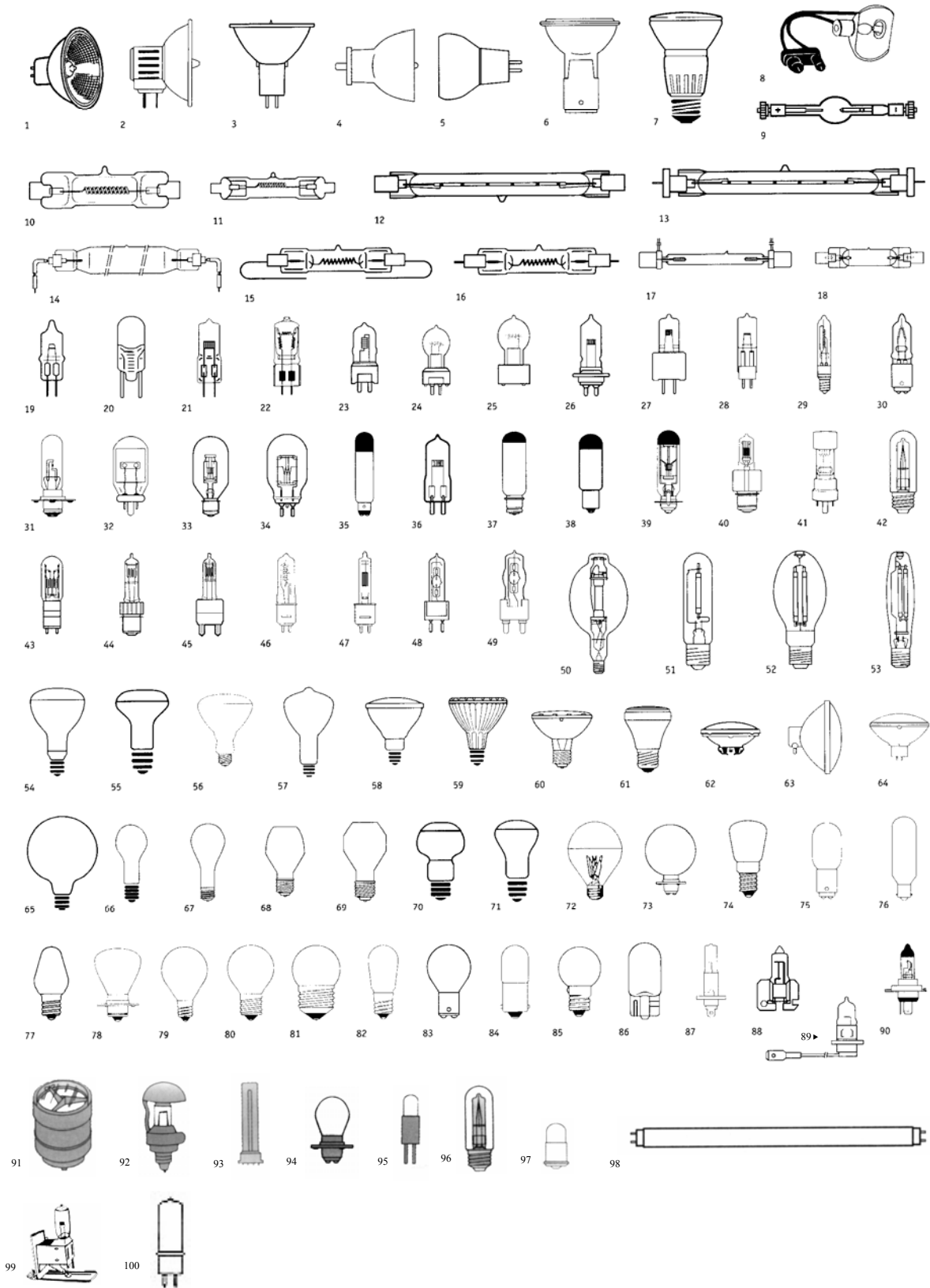


LAMP IDENTIFICATION CHART

Please note: Lamp shapes are not to scale.



LAMPS/BOMBILLAS

FIGURE	CAT NO.	DESCRIPTION	VOLTS	WATTS
1	LIG000DDL	MR-16 LAMP	20	150
1	LIG000EJM	EJM LAMP	21	150
1	LIG000EKZ	EKZ LAMP FOR CLINITEK 200	10.8	30
1	LIG000ELD	PROJECTOR LAMP	21	150
2	LIG000DNE	DNE LAMP	120	150
2	LIG000DNF.	DNF LAMP	21.5	150
3	LIG000EFN	EFN LAMP 12V/75W	12	75
3	LIG000EFP	EFP LAMP COMPATIBLE WITH ZEISS MI-CROSCOPE S3B & WEISS MICROSCOPE	12	100
3	LIG000EFR	EFR LAMP	15	150
3	LIG000EJA	HALOGEN PHOTO OPTIC LAMP EJA	21	150
4	LIG00JCRM	BULB LITEX 660&680 PHOTO CURING LAMP	12	75
4	LIGDL3026	BULB CURING LIGHT MODELS EFOS-35, OP-TILUX 150.	14	35
8	LIG000EZG	EZG LAMP	35	300
10	LIG50T4CL	Q150T4/CL FOR RITTER DENTAL LAMP	25	150
10	DEN008683	HALOGEN LAMP FOR PELTON & CRANE	25	150
21	LIG000BRJ	BRJ LAMP FOR LIGHT SOURCE	15	150
21	LIG002000	14-SERIES 2000 BULB HANALUX	22.8	50
21	LIG000FCS	FCS FOR A-DEC, FARO SUNLIGHT 70	24	150
21	LIG007388	MICROSCOPE LAMP FOR REICHERT, AO	6	20
21	LIG021991	HALOGEN BI-PIN LAMP	12	20
21	LIGX64610	BRL LAMP	12	50
21	LIG062138	HALOGEN LAMP BI-PIN	12	100
21	LIG021920	HALOGEN LAMP	12	35
23	LIG000BHC	PROJECTOR LAMP	120	600
27	LIG020030	HALOGEN LAMP FOR FOREST 9000, MARUS	24	150
27	LIGFSDZE	FDS/DZE FOR FARO S2000 AND RITTER K	24	150
27	LIG235T43	BULB AMSCO CHALLENGE 22 LAMP	33	235
30	LIG032ESR	SYLVANIA #32-ESR (100Q/CL/DC)	120	100
30	LIG000ESP	ESP LAMP 120V/150W	120	150
30	LIG000ESR	ESR LAMP 120V/100W	120	100
30	LIG000JCD	LAMP FOR CASTLE SURGICAL LAMP	24	60
30	LIG0QCLDC	ETC /150QCLDL HALOGEN	120	150
30	LIG0WKETC	ETC LAMP Q150CL/DC	120	150
41	LIGH24501	BULB FOR SKYTRON OR LAMP	24	50

LAMPS/BOMBILLAS

FIGURE	CAT NO.	DESCRIPTION	VOLTS	WATTS
52	LIGSLU35W	LU35/MED/S76	120	23
56	LIG50R401	INFRARED BULB FOR EMERSON 96E	120	250
56	LIG250R40	INFRARED HEATLAMP	120	250
67	LIG797799	60W STANDARD BULB	120	60
72	LIG4488FR	HALOGEN LAMP T10 FROSTED 120V/150W	120	150
72	LIG52SB12	SILVER BOWL BULB FOR CASTLE LAMPS	120	150
75	LIG0AX130V	CAX LAMP FOR B&L, MARCO, BURTON AND TOPCON OPHTHALMOLOGY PROJECTORS	120	50
76	LIG0015T6	EXIT SIGN BULB CANDELABRA SCREW	120	15
79	LIG125S11	LAMP CLAY ADAMS AGLUTINATION VIEWER	120	25
81	LIG015A15	STANDARD REFRIGERATOR LAMP	120	15
81	LIG0S3794	DARK ROOM SAFELIGHT	120	7.5
83	LIG000CHK	BULB OLYMPUS MICROSCOPE S W SILVER	120	20
83	LIG961028	AUTOMOTIVE BULB 89/BP	12	NA
84	LIG025020	BAYONET LAMPS	6.3	1
84	LIG510K28	NEON GLOW INDICATOR LIGHT BULB T3-1/4 W/MINI BAYONET BASE, B1A (NE-51),	120	1/25
86	LIG000908	908 MINITURE BULB	12	15
89	LIG012336	HALOGEN H3 UV BLOCK LAMP	12	55
91	LIG000HTI	LAMP HTI DYONICS	32	250
91	LIG250W32	LIGHT SOURCE DYONICS HTI 250W/32	32	250
92	LIG101028	BULB SKYTRON OPERATING ROOM LAMP	24	40
93	LIGM21010	DRAGER BLUE PHOTO THERAPY LAMP	120	—
94	LIG01460X	LAMP FOR AMERICAN OPTICAL MICROSCOPES A1460X w/FLANGE	—	—
95	LIG00L1030	LENS END LAMP	3.5	—
95	LIG00L1041	LENS END LAMP	5	—
95	LIG00MLH4	LENS END LAMP	2.5	—
95	LIG00L1005	LENS END LAMP 2.5V/.350A	2.5	0.875
95	LIG000ML7	LENS END LAMP	3.5	2.1
95	LIG00L1007	LENS END LAMP 5V/.160A	5	0.8
95	LIG00L1021	LENS END LAMP 3.5V/.610A	3.5	2.13
95	LIG00L1023	LENS END LAMP 2.5V/.350A	2.5	0.875
97	LIG00G286	GREEN 28V/6 CHIP	28	16.8
95	LIG020205	ADEC FIBEROPTIC HANDPIECE BULB	3.5	KRYPTON
97	LIG000382	382 MINIATURE BULB 14V/.08A	14	1.12
97	LIG000385	385 MINIATURE BULB 28V/.04A	28	1.12
97	LIG000387	387 MINIATURE BULB		
97	LIG00BR66	RED 6V/6 CHIP LED	6	3.6

FIGURE	CAT NO.	DESCRIPTION	VOLTS	WATTS
97	LIG200G66	GREEN 6V/6 CHIP LED	6	3.6
98	LIG015T8D	WHITE VIEW BOX FLOURECENT TUBES	120	15
98	LIG20T12BL	BLACK FLUORESCENT TUBE F20T12/BLB	120	20
98	LIG20T12B	BLUE FLUORESCENT TUBE FOR BILLI LITE/ PHOTOTHERAPY	120	20
99	LIGL38464	LAMP OPHTALMIC WILD-LEICA MICRO-SCOPE	12	50
100	LIG357106	BULB FOR AMSCO 180 OR LAMP	30	200
NA	LIG025465	SCREW TYPE LAMP	2.2	0.55
NA	LIG049455	HALOGEN LAMP	120	150
NA	LIG0Q4000	STRYKER QUANTUM 4000 LAMP	32	250
NA	LIG0Y1052	MB-631 XENON LIGHT SOURCE OLYMPUS		
NA	LIG120PSB	120PSB LAMP FOR INFANT RADIANT WARMER		
NA	LIG384643	LAMP MICROSCOPE LEICA 12V/50W	12	50
NA	LIG394047	CANDELABRA BASE LED LAMP RETROFIT FOR EXIT SIGNS.		
NA	LIG516780	LENS MOLDED FOR MDT 2000	NA	NA
NA	LIG750162	SPECIAL FLANGE 6V/2A COLPOSCOPE	6	2A/12W
NA	LIG791701	MINI LAMP FOR LEARDAL SUCTION		
NA	LIGOP2510	P25/10 BULB 120V/150W SPOT LIGHT	120	150
NA	LIG219202	HALOGEN GY6.35	12	
NA	LIG24V60W	LAMP FOR CASTLE MDT SURGICAL LAMP,	24	60

**Cant find the bulb you're looking for?
We will find it for you, just have the following
information handy when you call:**

- 1. Equipment Manufacturer and Model**
- 2. Lamp voltage and wattage**
- 3. Lamp manufacturer**
- 4. Lamp code (normally three letters) and any markings**

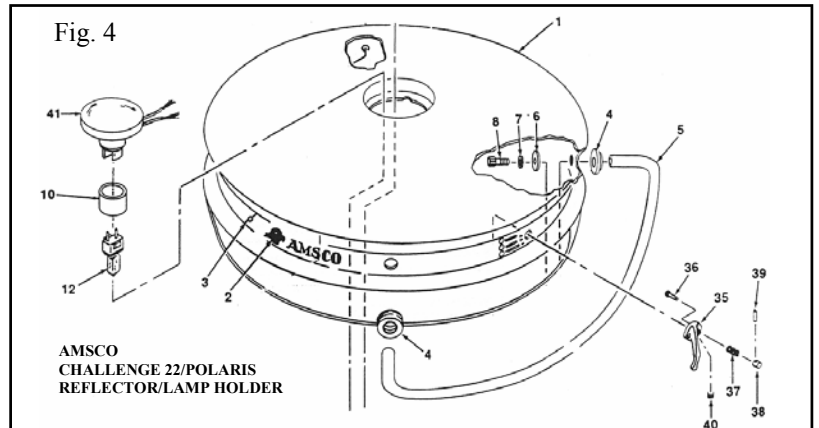
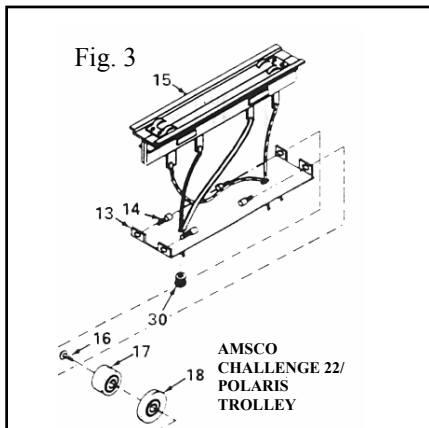
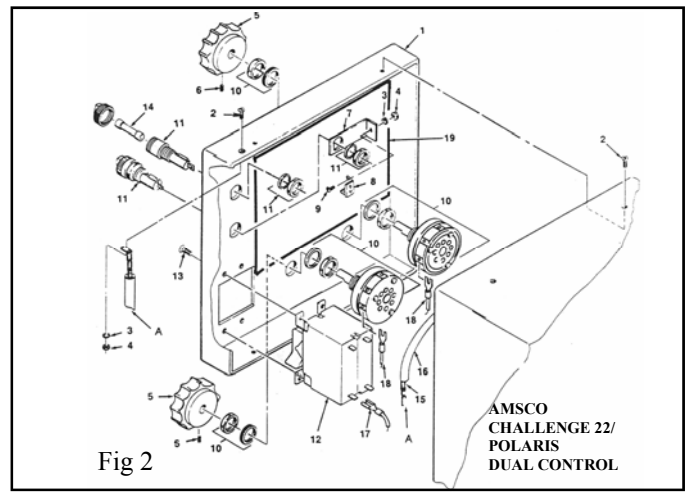
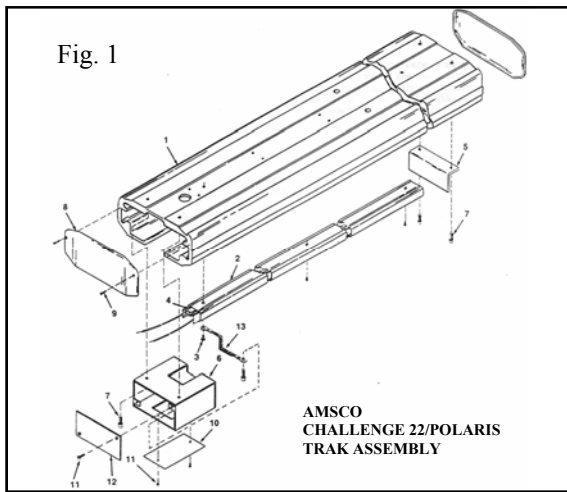
WELCH ALLYN LAMPS



CAT NO.	DESCRIPTION	FIGURE
LIG00043	LAMP WELCH ALLYN # 043	—
LIG000200	LAMP WELCH ALLYN #00200 OTOSCOPE&AUDIOSCOPE MD 20100,21600,23500,ENT ACC MD 26000, ILLUMINATED ANOSCOPES.TRANSILLUMINATORS 40510,515,520,41000,001,42700 VER NO	00200
LIG000400	LAMP WELCH ALLYN #00400	00400
LIG000600	LAMP WELCH ALLYN #00600 FOR ILLUMINATED ANOSCOPE	00600
LIG000900	LAMP WELCH ALLYN #00900 FOR OPHTHALMOSCOPE/RETINOSCOPE	00900
LIG01000	LAMP WELCH ALLYN #01000 FOR TRANSILLUMINATOR	01000
LIG01100	LAMP WELCH ALLYN #01100 FOR TRANSILLUMINATOR	01100
LIG002600	LAMP WELCH ALLYN #02600 FOR HEADLIGHTS MODEL 49003	02600
LIG003000	LAMP WELCH ALLYN #03000 FOR OPHTALMOSCOPE MODEL 11610,11600,11605,11710, RETINOSCOPE MODEL 18000	03000
LIG003100	LAMP WELCH ALLYN #03100 OTOSCOPES&AUDIOSCOPES MOD 20000,20200,20202,21700,25020 ENT ACC. MOD 26500,27000,27050,28100 HANDLE ADPT MOD73500	03100
LIG003400	LAMP WELCH ALLYN # 03400 OTOSCOPES&AUDIOSCOPES MOD 21110,22800,22820,24031,21100,21120,21150,24020 ENT ACC. MOD 27200,27250 HANDLE ADPT MOD73550	03400
LIG003900	LAMP WELCH ALLYN # 03900 OPHTHALMOSCOPE MOD 12800,12810,12820,11100,11200,11150	03900
LIG004400	LAMP WELCH ALLYN # 04400 FOR OPHTHALMOSCOPE MODEL 11411	04400
LIG004600	LAMP WELCH ALLYN #04600 RETINOSCOPE MOD 17710	04600
LIG004700	LAMP WELCH ALLYN #04700 FIBER OPTIC LARYNGOSCOPE MOD 68040,68041,69241,69242 ILLUMINATED LARYNG MOD 63470,63471,66471,67471,68470,68471,69041,69042,69471,69472	04700
LIG004800	LAMP WELCH ALLYN #04800 FIBER OPTIC LARYNG MD 68042, (043,044),69243,244 ILLUMINATED LARYNG MD 63842,(483,484),66482	04800
LIG004900	LAMP WELCH ALLYN #04900 OPHTHALMOSCOPES MOD 11620,11630,11720,11730	04900
LIG199036	PROPPER 199036 STD & FIBER OTOSCOPE, FINOFF TRANSILLUMINATOR.	—
LIG199407	BULB LARYNGOSCOPE TRANSILLUMINATOR 2.5V (PROPPER)	03100

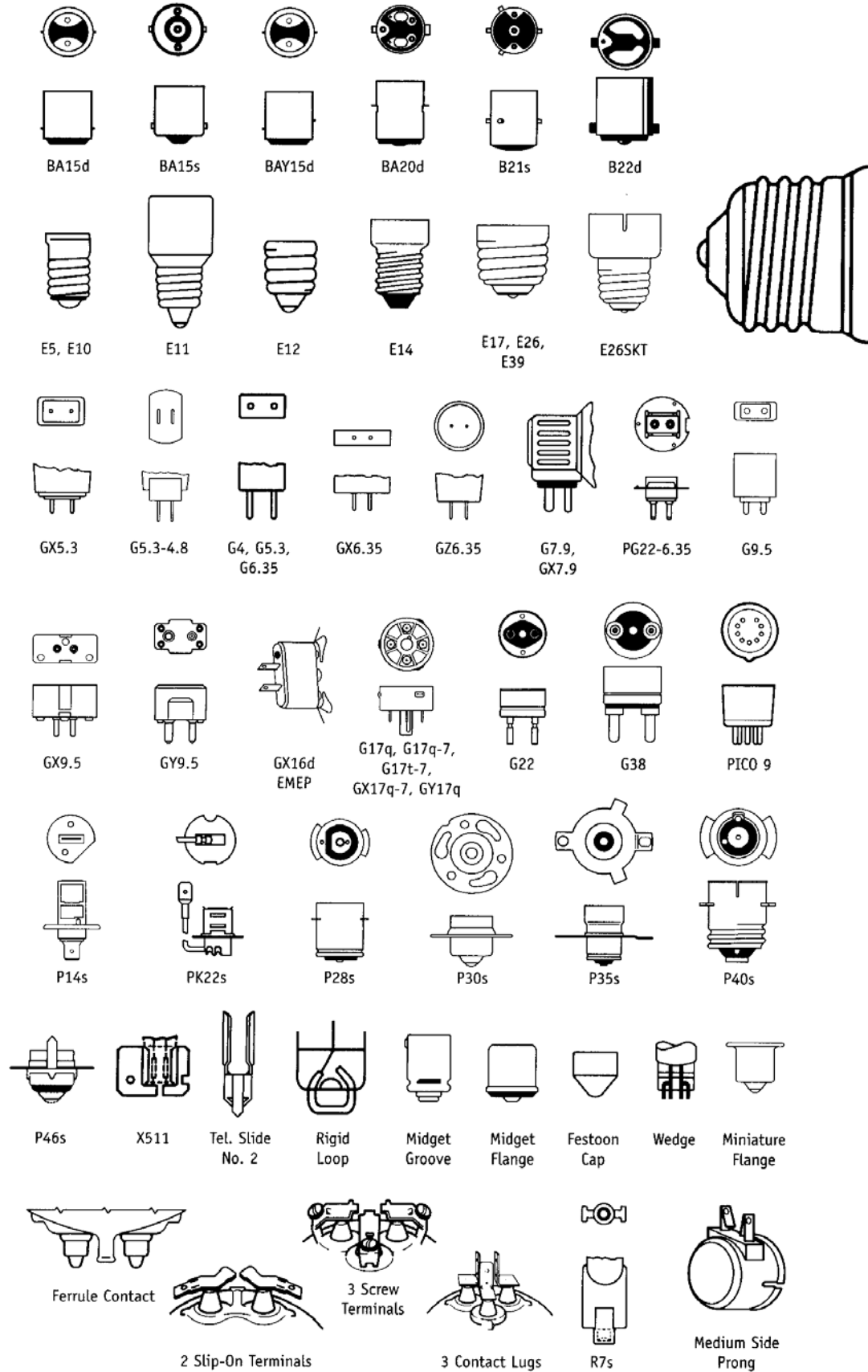
CAT NO.	DESCRIPTION	FIGURE
LIG006000	LAMP WELCH ALLYN #06000 FIBER OPTIC LARYNG MOD 68600, (601,602,603,604),69601(602,603,604)	06000
LIG006300	LAMP WELCH ALLYN #06300 FOR EXAM LITES AND TASKLITE 44100	—
LIG006400	LAMP WELCH ALLYN #06400	—
LIG680000	REPLACEMENT LAMP, SMALL/MINIATURE BLADES MACINTOSH #2	04700
LIG681000	REPLACEMENT LAMP LG/MD BLADES MACINTOSH #3 & #4	00400
LIG684000	OPHTALMOSCOPE 3.5V REPLACEMENT FOR LAMP WA3000	03000
LIG685000	OTOSCOPE 3.5V/LAMP REPLACEMENT FOR LAMP WA3100	03100
LIG693000	REPLACEMENT OPHTALMOSCOPE WA 2100 LAMP	02100
LIGAL9279	WELCH ALLYN 049	—

AMSCO CHALLENGE AND POLARIS LAMP PARTS

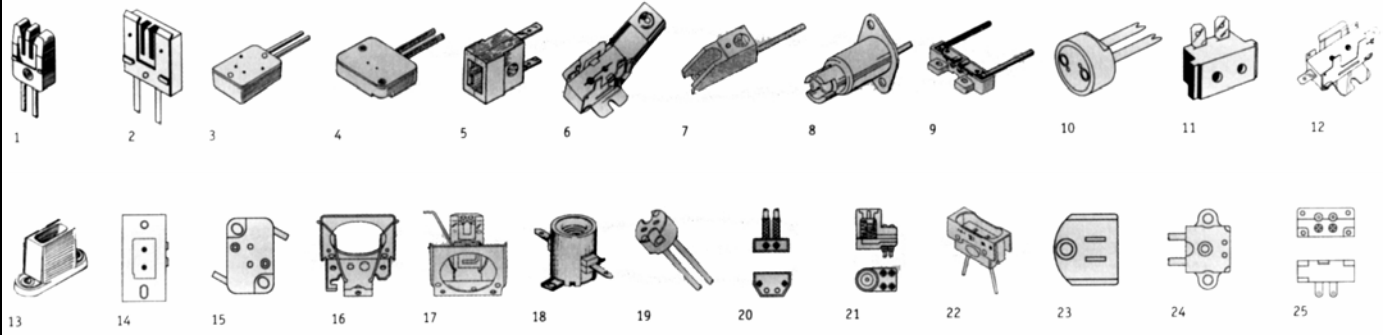


CAT NO.	DESCRIPTION	FIGURE
LIG325811	RE/NEW CHALLENGE REFLECTOR KIT	NA
LIG325813	RE/NEW POLARIS REFLECTOR KIT	NA
LIG391001	TROLLEY DUCT 108 CHALLENGE 22 & POLARIS	1
LIG824380	DUAL CONTROL PANEL FOR AMSCO CHALLENGE 22 & POLARIS	2
LIG838003	TROLLEY ASSEMBLY CHALLENGE 22 & POLARIS	3
LIGLMPHLD	LAMP HOLDER AND FOCUSING ASSEMBLY CHALLENGE 22 & POLARIS	4

LAMP HOLDERS/BASE IDENTIFICATION CHART















LAMP HOLDERS



CAT NO.	ANSI CODE	FIGURE
LIG00250V	LAMP HOLDER 250V/660W FOR NEGATOSCOPE LAMP 15TD8	1
LIG00H701	LAMP HOLDER / OLYMPUS CLK-3	15
LIG00H706	LAMP HOLDER FOR LIGHT SOURCES W/LEVER RELEASE FOR GZ6.35 BASE LAMPS	17
LIG00H867	LAMP HOLDER FOR LIGHT SOURCES W/LEVER RELEASE FOR GZ6.35 BASE LAMPS	17
LIG00H881	CERAMIC LAMP HOLDER / ZEISS SB SERIES MICROSCOPES	20
LIG00H885	LAMP HOLDER FLAT CERAMIC FOR G5.3-4.8 TYPE BASE	23
LIG00H912	CERAMIC LAMP HOLDER FOR MICROSCOPES USING BI-PIN LAMPS	10
LIG00H943	CERAMIC LAMP HOLDER FOR R7 TYPE BASE LAMPS	7
LIG0H2571	LAMP HOLDER FOR DUAL BAYONET BULBS WITH WIRE SCREWS	NOT SHOWN
LIG0H9901	LAMP HOLDER FOR AMERICAN OPTICAL MICROSCOPES	24
LIG0H9971	CERAMIC LAMP HOLDER WITH SIDE LEVER RELEASE FOR USE WITH GY9.5 TYPE BASES	6
LIG130858	LAMP SOCKET ASSEMBLY FOR MICROSCOPE AMERICAN OPTICAL ONE-TEN	NOT SHOWN
LIG396255	BAYONET BASE ADAPTER	NOT SHOWN
LIG396260	INTERMEDIATE BASE ADAPTER	E11
LIG396265	MEDIUM BASE ADAPTER	E26SKT

FIBER OPTIC CABLE SELECTION CHART

A - LIGHTSOURCE SIDE

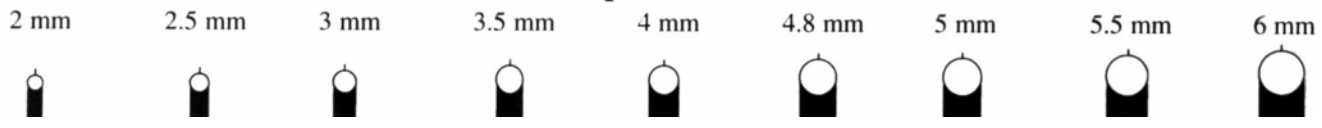
-  **(A)** ACMI
-  **(AO)** ACMI/OLYMPUS
-  **(W)** WOLF DYONICS
-  **(WX)** WOLF EXTENDED
-  **(S)** KARL STORZ (5.0 MAXIMUM BUNDLE DIA.)
-  **(O)** OLYMPUS
-  **(P)** PILLING (3.5 MAXIMUM BUNDLE DIA.)
-  **(D)** DESIGNS FOR VISION
-  **(M)** MACHIDA
-  **(PA)** PENTAX
-  **(U)** UNIVERSAL
-  **(Z)** ZEISS



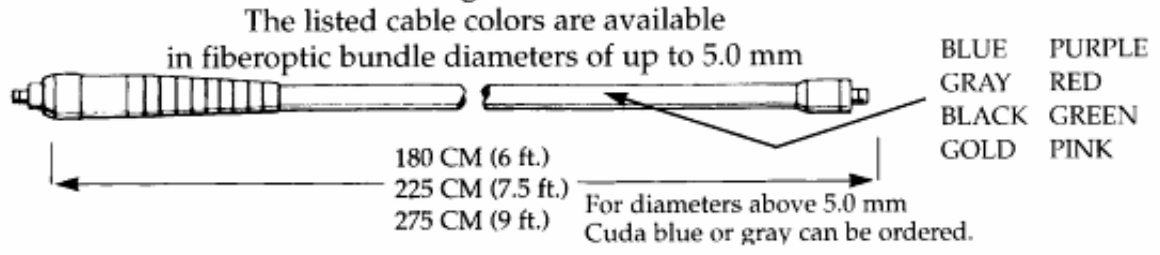
C - INSTRUMENT SIDE

- (F)** ACMI
- (FC)** ACMI CLIP ON
- (FS)** ACMI SWIVEL
- (A)** ACMI MALE
- (D)** DESIGNS FOR VISION
- (ORP)** OLYMPUS RETRACTABLE
- (P)** PILLING
- (S)** KARL STORZ OLYMPUS (5.0 MAXIMUM BUNDLE DIA.)
- (W)** WOLF DYONICS EDER
- (EXW)** WOLF DYONICS CLIP
- (SCH)** SCHOLLY
- (U)** UNIVERSAL
- (Z)** ZEISS

B — Fiberoptic Bundle Size (DIAMETER)



D — Length of Cable



TO ORDER YOUR REPLACEMENT FIBER OPTIC CABLE, COMBINE THE LETTERS AND NUMBERS SHOWN ABOVE.

THE PART NUMBER IS FORMED BY COMBINING:

COLOR + LIGHTSOURCE CONNECTOR + BUNDLE DIAMETER+ INSTRUMENT CONNECTOR + CABLE LENGTH

EXAMPLE:

PART NO: REDA3.5W180

(THIS IS A RED COLORED CABLE WITH AN ACMI TYPE LIGHTSOURCE CONNECTOR, 3.5 mm BUNDLE DIAMETER, WOLF/DYONICS INSTRUMENT CONNECTOR AND 180 CM LENGTH)

FIBER OPTIC HEADLIGHT SYSTEM

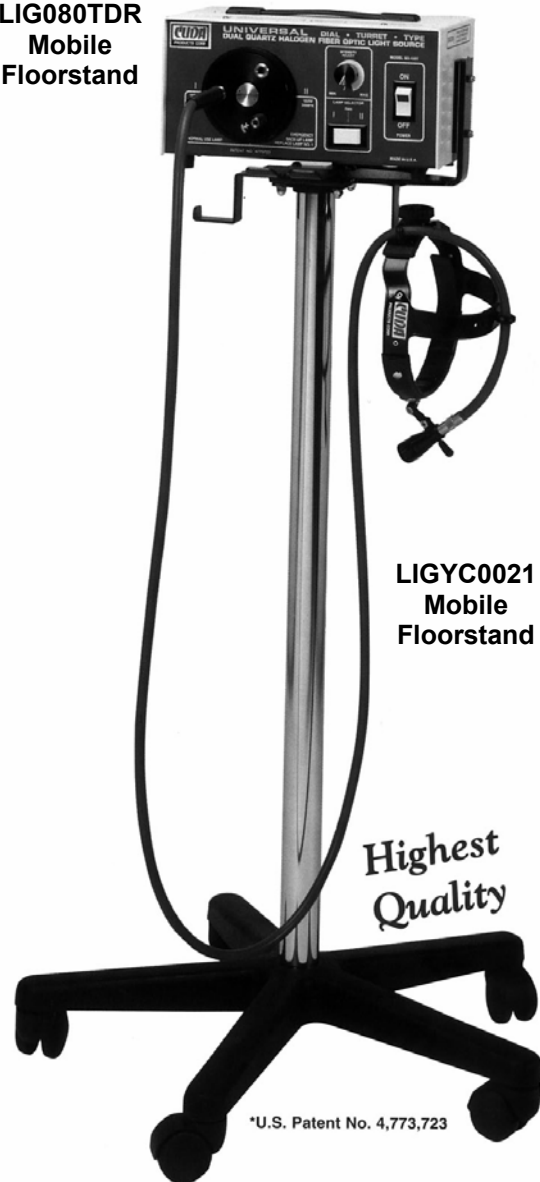
Direct Fiberoptic Headlight

- Designed with maximum performance as the highest priority, utilizing state-of-the-art optics.
- Lightweight construction with cushioned, comfortable, soft headband.
- Replaceable sweatband and autoclavable joysticks (2 pcs.) with two garment Clips for better cable support.
- Direct headlight module will deliver 100mm diameter super bright light spot at 40.6cm (16") working distance.
- 7mm active diameter flexible fiberoptic cable.
- The brightest headlight cable on the market, fully autoclavable.
- Stainless steel endfittings to fit all competitive manufacturers such as: ACMI, V. Mueller (Baxter), Applied Fiberoptics, Designs for Vision, Dyonics, luxtec, Olympus, Pilling, Storz, Stryker, Wolf and Zeiss.

Fiberoptic Solid-State Turret Lightsource

- Universal, heavy gauge construction incorporated in a contemporary design (2 lamps - 150 Watts each - lamp life 50 hours minimum each).
- The patented rotating turret accepts Olympus, Wolf, ACMI or Karl Storz fiberoptic cable endfittings. Please specify when ordering which combination of light ports you prefer.
- Rheostat dial allows for variation in the degree of light intensity from 0 to 100%.
- Circuit breaker with automatic reset eliminates need for fuses.
- Whisper quiet fan activated immediately when master switch is in "on" position, prolonging lamp life.
- The brightest lightsource on today's market measures only 6 1/2" (16.5cm)H x 6 1/2" (16.5cm)D x 12" (30.5cm)L, and weighs only 12 lbs. (5.6kg).
- **UL and CSA listed.**
- **2-year limited warranty.**

LIG080TDR Mobile Floorstand



LIGYC0021 Mobile Floorstand

Highest
Quality

*U.S. Patent No. 4,773,723



SYA0080DR
Ancillary
Headlight
System and Case



Fiberoptic
Headlight System
Direct Type



SYP0080TDR Portable Headlight System
with Turret Lightsource and Case

